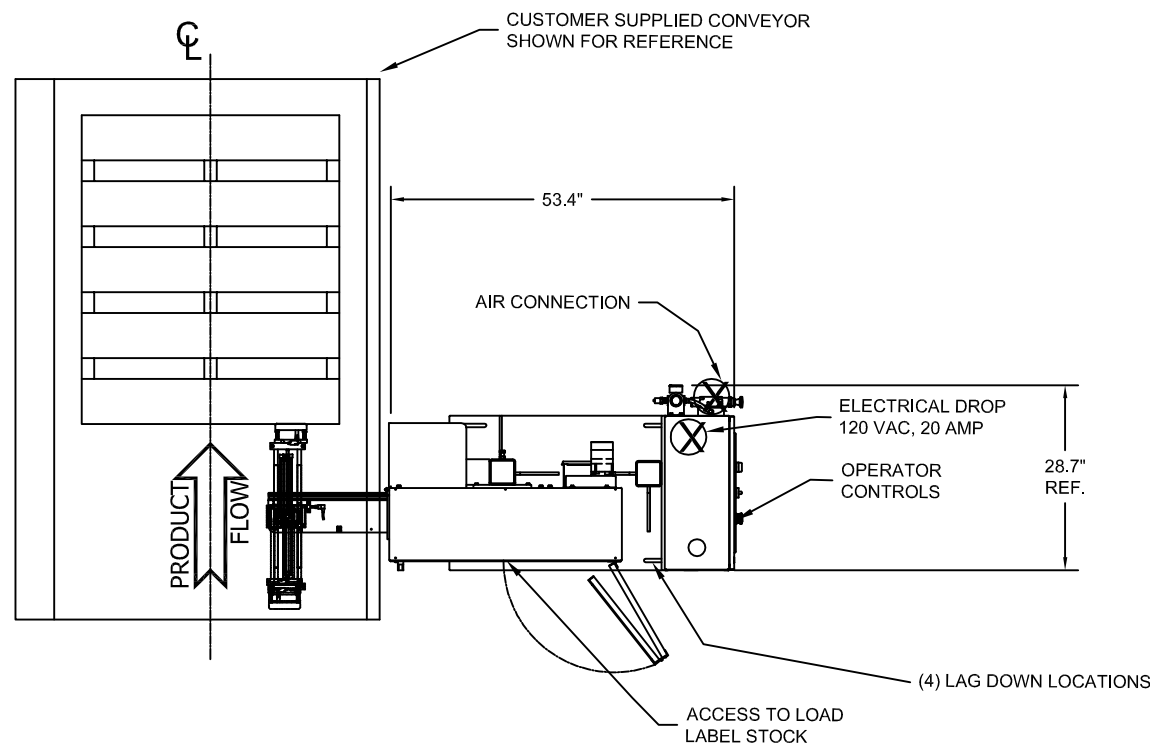
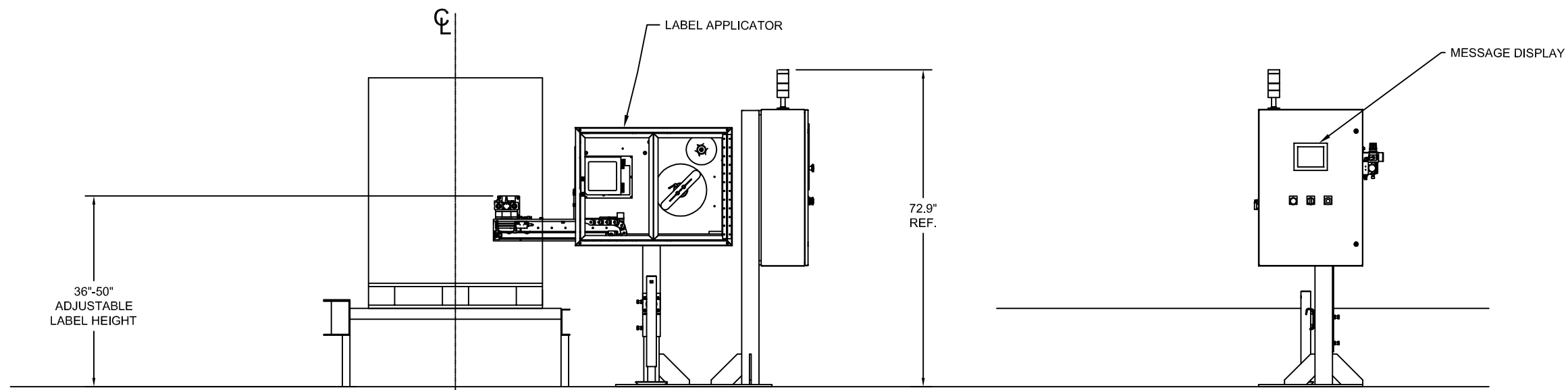


01-001EVS

Electrical Service	120 VAC - 60 Hz - 15 Amps
Pneumatic Service	3 SCFM - 60 PSI
Control Voltage	24 VDC



PLAN VIEW



ELEVATION VIEW

1	REVISIONS	ACAD 2000		<p>6840 Ashfield Drive Cincinnati, Ohio 45242 PN. 513 745-9401 FAX: 513-794-3240</p>	<p>PROPERTY OF KOLINAHR - IMPORTANT-</p> <p>THIS DRAWING PRINT IS LOANED FOR MUTUAL ASSISTANCE AND SUBJECT TO RECALL AT ANY TIME. INFORMATION CONTAINED HEREIN IS NOT TO BE DISCLOSED OR REPRODUCED IN ANY FORM FOR THE BENEFIT OF PARTIES OTHER THAN NECESSARY SUBCONTRACTORS AND SUPPLIERS WITHOUT WRITTEN CONSENT OF KOLINAHR SYSTEMS.</p>	<p>DRAWN BY: GAN DATE: 05/02/13</p> <p>CHECKED BY: DATE:</p>	<p>SA3100 3-SIDED PALLET LABELER LAYOUT</p>		DRAWING NUMBER	REV.
		<p>THIRD ANGLE PROJECTION</p>				<p>SCALE:</p>	<p>SHEET NUMBER: 1 OF 1</p>	<p>SA3100-LO - 0</p>		
		<p>ALL DIMENSIONS IN INCHES UNLESS OTHERWISE NOTED</p>								

J I H G F E D C B A