

PS600 Slip Sheet Load Stacker

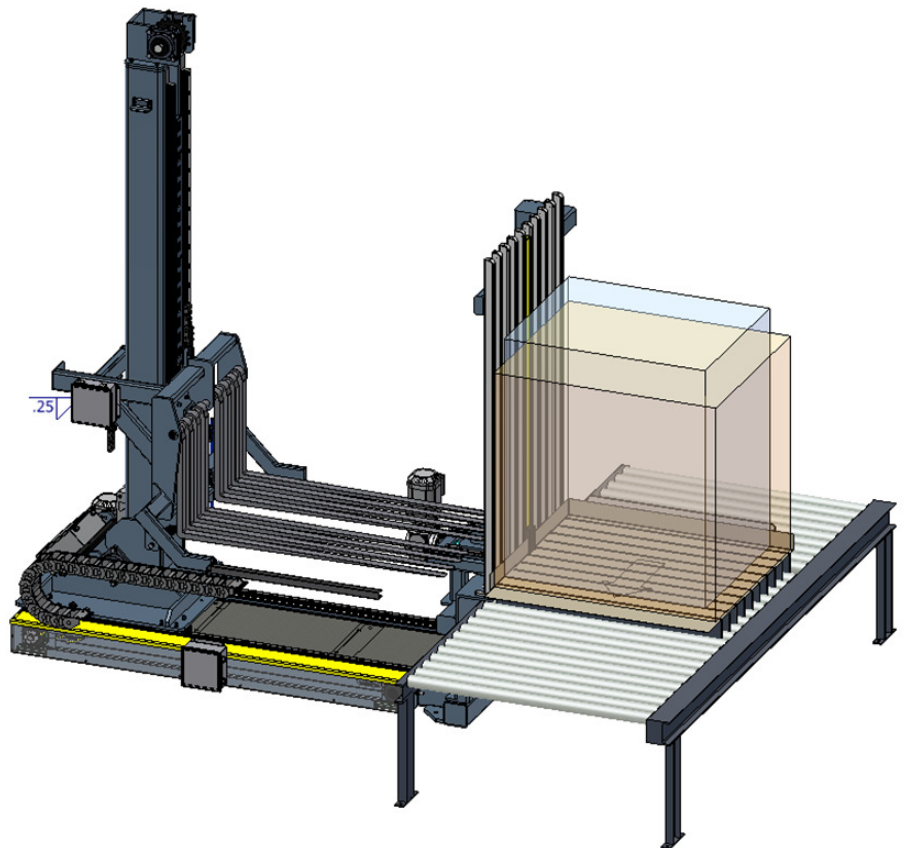
*Rugged
Reliable
Superior*



Kolinahr Systems is helping customers improve their efficiency and increase productivity without having to change their production line in order for the Slip Sheet Stacker to fit and meet their needs.

Kolinahr Systems, Inc.
6840 Ashfield Dr.
Cincinnati, Ohio 45242

Phone (513) 745-9401
sales@kolinahrsystems.com
www.kolinahrsystems.com



PS600 Slip Sheet Load Stacker

The Slip Sheet Load Stacker offers quick, accurate load stacking up to 60 seconds per double stacked load, making it the ideal alternative to forklift stacking. The PS600 mounts on one side of the unit load conveyor and holds the stretch wrapped loads with a blade stop mounted in the stack zone conveyor. The load stacker uses a unique lifting system to raise the loads and this system will also raise pallet loads. The load is raised and lowered with a variable speed electric drive system.

See our products at www.kolinahrsystems.com